

## WX04

Load haul dump  
general specifications



Lower environment  
impact



Reliability



Productivity



Indicative illustration only, machine design will vary

### Operating capacities and weights

|                  |                    |                     |
|------------------|--------------------|---------------------|
| Payload          | 4,000 kg           | 8,800 lbs.          |
| Bucket capacity  | 1.9 m <sup>3</sup> | 2.5 yd <sup>3</sup> |
| Operating weight | 14,560 kg          | 32,032 lbs.         |

### Engine power

|                               |       |        |
|-------------------------------|-------|--------|
| Engine rated power - standard | 97 kW | 130 HP |
| Engine rated power (optional) | 99 kW | 133 HP |

\*Standard rock bucket based on 2,000 kg/m<sup>3</sup>. Alternate bucket volumes available

# WX04

## Capacities

|                               |                    |                     |
|-------------------------------|--------------------|---------------------|
| Tramming capacity             | 4,000 kg           | 8,800 lbs.          |
| Hydraulic breakout force lift | 11,361 kg          | 25,046 lbs.         |
| Hydraulic breakout force tilt | 9,189 kg           | 20,258 lbs.         |
| SAE breakout force            | 9,189 kg           | 20,258 lbs.         |
| SAE static tipping load       | 16,611 kg          | 36,621 lbs.         |
| Bucket                        | 1.9 m <sup>3</sup> | 2.5 yd <sup>3</sup> |

## Weights

|                     |           |             |
|---------------------|-----------|-------------|
| Operating weight    | 15,150 kg | 33,400 lbs. |
| Total loaded weight | 19,150 kg | 42,218 lbs. |

## Axle weight without load

|            |          |             |
|------------|----------|-------------|
| Front axle | 6,674 kg | 14,714 lbs. |
| Rear axle  | 8,476 kg | 18,686 lbs. |

## Axle weight with load

|            |           |             |
|------------|-----------|-------------|
| Front axle | 12,981 kg | 28,618 lbs. |
| Rear axle  | 6,169 kg  | 13,600 lbs. |

## Speeds km/h unloaded

|          |      |      |      |     |     |     |
|----------|------|------|------|-----|-----|-----|
| Grade    | 0    | 5    | 10   | 12  | 15  | 20  |
| 1st gear | 4.8  | 4.2  | 4.2  | 4.0 | 3.9 | 3.8 |
| 2nd gear | 9.5  | 8.8  | 7.8  | 9.1 | 7.8 | 5.9 |
| 3rd gear | 16.0 | 12.7 | 10.0 | 8.4 | 6.4 | 3.4 |
| 4th gear | 25.8 | 14.5 |      |     |     |     |

## Speeds km/h loaded

|          |      |      |     |     |     |     |
|----------|------|------|-----|-----|-----|-----|
| Grade    | 0    | 5    | 10  | 12  | 15  | 20  |
| 1st gear | 4.4  | 4.2  | 4.0 | 3.9 | 3.7 | 3.6 |
| 2nd gear | 9.2  | 8.7  | 7.6 | 6.7 | 5.8 | 3.9 |
| 3rd gear | 14.0 | 12.3 | 7.7 | 6.8 |     |     |
| 4th gear | 24.0 | 11.4 |     |     |     |     |

Speeds are representative and are based on a 3% rolling resistance. Actual speeds achieved will be subject to road conditions.

## Bucket motion times (+/-1 s)

|               |       |
|---------------|-------|
| Dump time     | 2.5 s |
| Raising time  | 4.6 s |
| Lowering time | 3.4 s |

## Control system

|                |          |
|----------------|----------|
| User interface | IQAN MD4 |
|----------------|----------|

## Powertrain

|        |                                |                                |
|--------|--------------------------------|--------------------------------|
|        | <b>Standard</b>                | <b>Optional</b>                |
| Engine | Cummins QSB 4.5T<br>EPA Tier 3 | Cummins QSB 4.5T<br>EU Stage V |
| Output | 97 kW (130 HP) @2500 rpm       | 99 kW (133 HP)                 |

## General

|                    |                       |
|--------------------|-----------------------|
| Air filtration     | Donaldson (dry type)  |
| Exhaust system     | DOC                   |
| Fuel tank capacity | 190 litres 50 gallons |

|           |                  |
|-----------|------------------|
| Converter | Dana C270 series |
|-----------|------------------|

|              |                   |
|--------------|-------------------|
| Transmission | Dana 32000 series |
|--------------|-------------------|

|          |                           |
|----------|---------------------------|
| Shifting | Powershift c/w modulation |
|----------|---------------------------|

|        |                       |
|--------|-----------------------|
| Speeds | 4 forward / 4 reverse |
|--------|-----------------------|

## Axles

|                |              |
|----------------|--------------|
| Front and rear | Dana 14D2149 |
|----------------|--------------|

|                     |              |
|---------------------|--------------|
| Differential, front | Limited slip |
|---------------------|--------------|

|                    |         |
|--------------------|---------|
| Differential, rear | No-spin |
|--------------------|---------|

|        |                                   |
|--------|-----------------------------------|
| Brakes | Spring applied, hydraulic release |
|--------|-----------------------------------|

|                   |           |
|-------------------|-----------|
| Oscillation angle | +/- 5 deg |
|-------------------|-----------|

|       |                   |
|-------|-------------------|
| Tires | Bias L5S (smooth) |
|-------|-------------------|

|      |            |
|------|------------|
| Size | 12.00 x 24 |
|------|------------|

As applications vary, the tire supplier should be consulted for proper tires.

## Hydraulics

### System design

Variable displacement piston pump with load sensing open center circuit design for optimal efficiency. Proportional hydraulic valve with closed centre spool with priority steering, shock valves and load sense relief valves.

### Bucket/boom control

Single two axis proportional electric joystick

### Steering control

Single one axis proportional electric joystick with gear selector

### Brake system

Service brakes are enclosed spring-applied, hydraulically released, liquid cooled multi-disk on all four wheel ends. The service brakes also function as emergency and park brakes. Brakes will apply upon loss of hydraulic pressure or electrical power.

|                      |  |
|----------------------|--|
| Bucket dump cylinder | One (1), double acting, single stage, Z-link |
|----------------------|--|

|                     |                                      |
|---------------------|--------------------------------------|
| Boom hoist cylinder | Two (2), double acting, single stage |
|---------------------|--------------------------------------|

|                |                                      |
|----------------|--------------------------------------|
| Steer cylinder | One (1), double acting, single stage |
|----------------|--------------------------------------|

|                        |                            |
|------------------------|----------------------------|
| Hydraulic tank volumes | 140 litres 47.0 US gallons |
|------------------------|----------------------------|

## Electrical equipment

|            |         |
|------------|---------|
| Alternator | 24V/70A |
|------------|---------|

|           |            |
|-----------|------------|
| Batteries | 2 x 24V HD |
|-----------|------------|

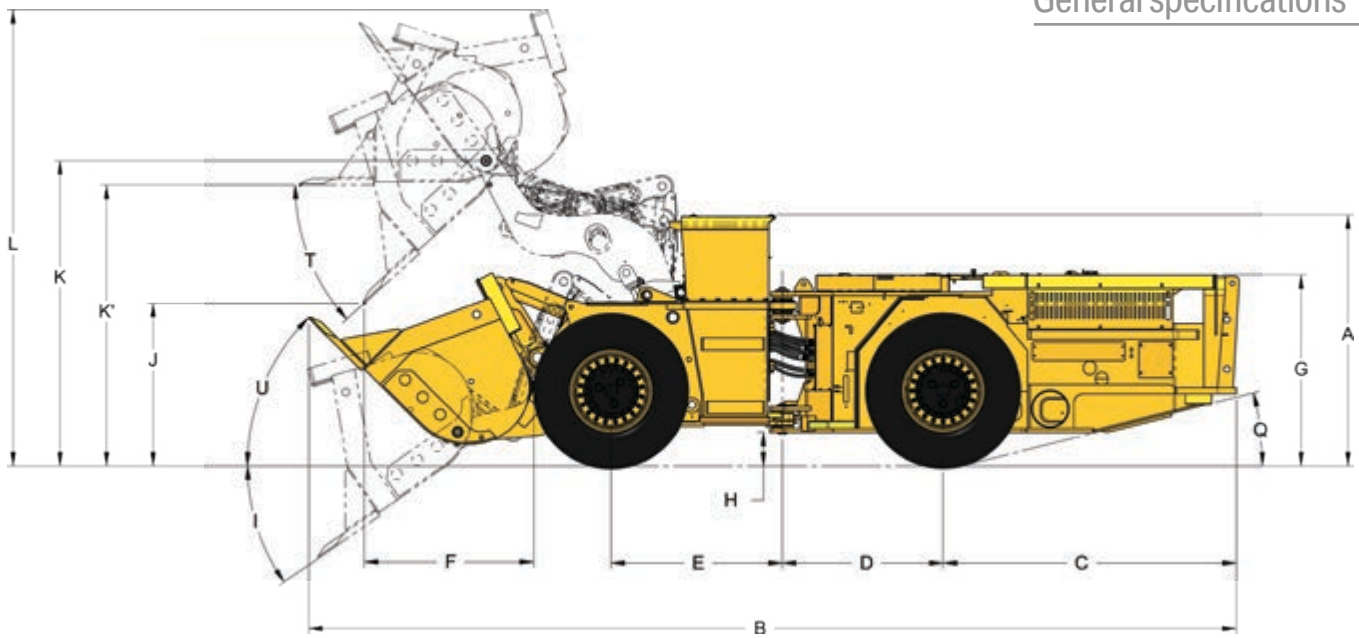
|         |     |
|---------|-----|
| Starter | 24V |
|---------|-----|

|                            |                        |
|----------------------------|------------------------|
| Driving and working lights | 2 front / 2 rear (LED) |
|----------------------------|------------------------|

## Structural

|                       |                               |
|-----------------------|-------------------------------|
| Front and rear frames | Welded steel box construction |
|-----------------------|-------------------------------|

|          |                                 |
|----------|---------------------------------|
| Material | ASTM A572 GR50 (CSA G40.21-50W) |
|----------|---------------------------------|

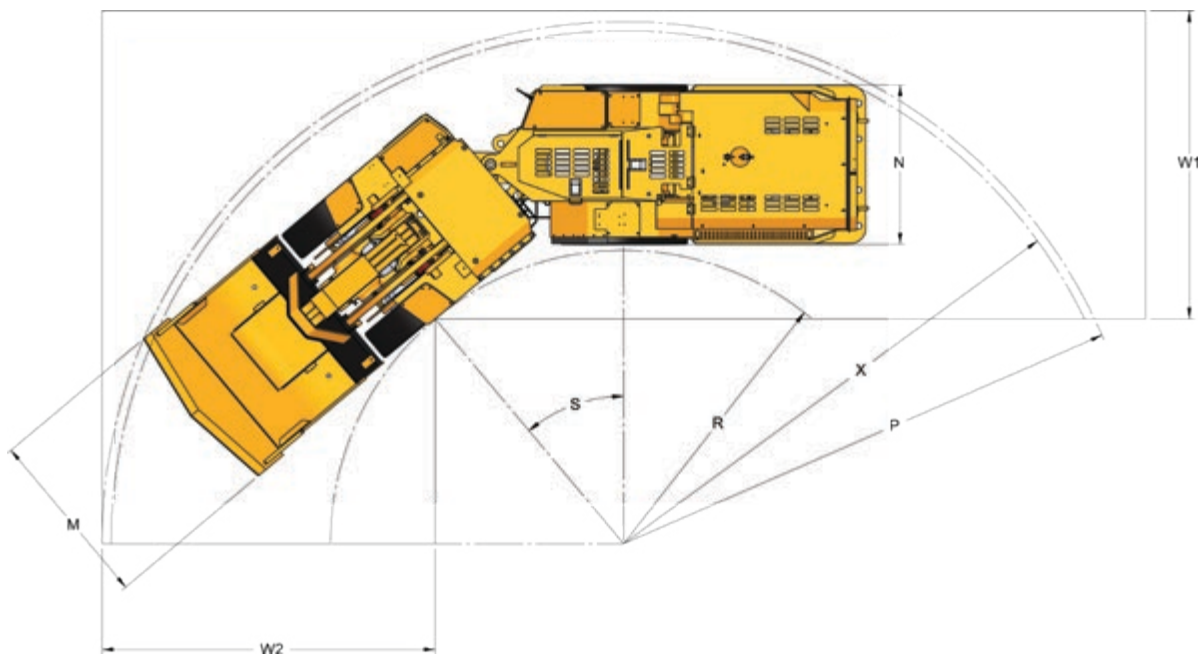


**Overall dimensions**

|          |                            |         |          |
|----------|----------------------------|---------|----------|
| <b>A</b> | Top of cabin               | 2063 mm | 81.3 in  |
| <b>B</b> | Overall, tramming          | 7632 mm | 300.5 in |
| <b>C</b> | Rear axle to bumper        | 2410 mm | 94.9 in  |
| <b>D</b> | Centre hinge to rear axle  | 1324 mm | 52.1 in  |
| <b>E</b> | Centre hinge to front axle | 1410 mm | 55.5 in  |
| <b>F</b> | Bucket reach               | 1392 mm | 54.8 in  |
| <b>G</b> | Top of hood                | 1570 mm | 61.8 in  |
| <b>H</b> | Ground clearance           | 275 mm  | 10.8 in  |
| <b>J</b> | Dump clearance             | 1338 mm | 52.7 in  |
| <b>K</b> | Lift arm pin               | 2510 mm | 98.8 in  |
| <b>L</b> | Bucket raised              | 3749 mm | 147.6 in |

**Overall dimensions**

|           |                        |         |          |
|-----------|------------------------|---------|----------|
| <b>M</b>  | Width - bucket         | 1778 mm | 70 in    |
| <b>N</b>  | Width - rear frame     | 1591 mm | 62.6 in  |
| <b>RE</b> | Outside turning radius | 5106 mm | 201 in   |
| <b>RI</b> | Inside turning radius  | 2920 mm | 114.9 in |
| <b>S</b>  | Turn angle             |         | 40 deg   |
| <b>T</b>  | Dump angle             |         | 42 deg   |
| <b>U</b>  | Roll back angle        |         | 45 deg   |



### Standard equipment

---

- ROPS/FOPS certified open cabin
    - LCD dash
    - Door interlock on operator's compartment
    - Electric horn
    - Joystick hoist and bucket control
    - Joystick steering control
  - 1.9 m<sup>3</sup> (2.5 yd<sup>3</sup>) bucket with plate lip
  - Z-link boom design
  - Articulation and boom locks
  - Central manual lubrication
  - Electric hydraulic oil transfer pump
  - Emergency stops (3)
  - Exhaust blanket SS jacket
  - Battery disconnect switch
  - Jump start
- 

### Automation option

---

- Radio remote control system, line of sight
- 

### Optional equipment

---

- Fire suppression system liquid type - manual
  - Fire suppression system liquid type - automatic
  - Fire extinguisher
  - Automatic lubrication system
  - Remote retrieval system
  - Back-up alarm
  - Strobe lights
  - Wheel chocks and holders
  - DPF exhaust
  - Transmission gear lock-out
- 

### Bucket options

---

- 2.2 m<sup>3</sup> (2.9 yd<sup>3</sup>) bucket w. plate lip
  - 1.4 m<sup>3</sup> (1.8 yd<sup>3</sup>) ejector bucket
  - Quick attach Masterhitch
  - Quick attach bucket
  - Quick attach forks
  - Quick attach ejector bucket 1.3 m<sup>3</sup> (1.7 yd<sup>3</sup>)
- 

### Cabin options

---

- Certified ROPS/FOPS enclosed cabin
    - Air conditioning
    - Three window wiper and washer
    - Safety glass windows
    - Sound deadening insulation
- 

---

Product designs, specifications and/or data in this document are provided for informational purposes only and are not warranties of any kind. Product designs and/or specifications may be changed at any time without notice. The only warranties that apply to sales of products and services are Komatsu's standard written warranties, which will be furnished upon request.

Komatsu and other trademarks and service marks used herein are the property of Komatsu Ltd., Komatsu America Corp., Komatsu Mining Corp., or one of their affiliates, or the respective owners or licensees.

# KOMATSU

mining.komatsu

