



Condor PK 17 280



SPECIFICATIONS

GVM*	16,500 kg	Power	206 kW @ 2,500 rpm
GCM	20,500 kg	Torque	883 Nm @ 1,400 rpm
Opt GCM**	26,000 kg - 6 speed (on application)	Transmission	UD Trucks 6 speed manual Eaton 9 speed manual Allison 6 speed automatic
	32,000 kg - 9 speed (on application)	Suspension	Hendrickson Airbag Suspension, HAS
	32,000 kg - Automatic (on application)		

FEATURES

ECE-R29 Cab Strength Compliant	Multi adjustable air suspended driver seat
Drivers SRS airbag and seat belt pretensioner	Cruise control
WABCO ABS (Anti-lock Braking System)	Easy Hill Start (EHS) - manual models only
Allison Generation 5 Automatic transmission	Touch screen multimedia with SD, USB, CD, DVD, 3.5mm inputs
ADR84/00 (ECE-R93) integrated Front Underrun Protection (FUPS)	ADR42 compliant sleeper cab and mattress
Fleet Max Plus telematics system	Heated and electronically operated external mirrors

udtrucks.com.au

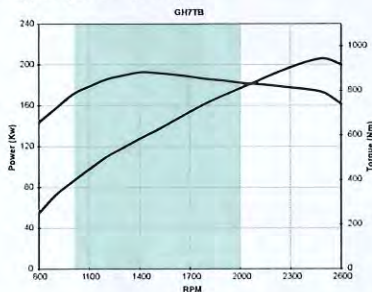
Note: PK 17 280 shown may not be representative of actual vehicle. Model shown with optional 2nd 200L fuel tank.

SAFETY

ECE-R29 Cab strength compliant
ADR84/00 (ECE-R93) integrated Front Underrun Protection (FUPS)
SRS drivers airbag with seat belt pretensioner
WABCO ABS (Anti-lock Braking System)
Electrically operated and heated mirrors
360° visibility with up to 4 optional cameras

ENGINE

Make UD Trucks
Model GH7TB
Description 4 cycle, direct injection, diesel engine with overhead cam, 4 valves per cylinder, water cooled and intercooler with variable turbocharging system.
Cylinders 6 in-line
Total piston displacement 7,013 cc (7 litres)
Bore x stroke 110 mm x 123 mm
Compression ratio 17.5:1
Max. Power (ECE Net) 206 kW (280 ps) @ 2,500 rpm
Max. Power (JIS Gross est.) 214 kW (291 ps) @ 2,500 rpm
Max. Torque (ECE Net) 883 Nm (651 lb/ft) @ 1,400 rpm
Max. Torque (JIS Gross est.) 917 Nm (676 lb/ft) @ 1,400 rpm
Max. governed engine speed 2,600 rpm



Lubrication system Forced oil feed by gear pump, flat tube oil cooler, full flow and bi-pass oil filters with replaceable elements and 17 litre capacity
Compressed air system Water cooled reciprocating type, single cylinder air compressor with air dryer
Cooling System Forced feed by centrifugal water pump, wax pellet type thermostat with bypass. Aluminium corrugated fin type radiator with cab front bonnet mounted reserve tank and a 600 mm diameter 11 blade viscous coupling cooling fan

FUEL AND INTAKE SYSTEM

Injection type Ultra high pressure common rail injection system
Filtration Chassis mounted primary and engine mounted secondary
Capacity 200 litre steel tank with lockable cap on LHS chassis
Air filtration Primary dry paper element air filter on RHS under cab
Air intake High mounted RHS air intake

EXHAUST AND EMISSION CONTROL

Emission standard ADR80/03 (Euro 5 emission standard)
Emission system Selective Catalytic Reduction (SCR)
AdBlue® capacity 50 litre polymer tank with lockable cap mounted on LHS
Exhaust system RHS chassis mounted muffler/catalytic converter with horizontal rear facing exhaust discharge

ELECTRICAL

Power 24 volt, negative ground system
Battery capacity 2 x 12 volt 120 Ah batteries mounted on LHS chassis
Alternator 110 amp with built in IC regulator

CLUTCH (manual models only)

Make UD Trucks
Description Dry single organic plate with push type diaphragm
Disc diameter 380 mm
Mechanism Hydraulically operated with air assistance

TORQUE CONVERTER (automatic models only)

Make Allison
Model TC 415
Description One stage, three element, polyphase. Includes standard integral damper with lock-up function
Stall torque ratio 2.35:1

TRANSMISSION/S

6 SPEED MANUAL

Make UD Trucks
Model MPS63B
Description Six forward speeds and one reverse, sychomesh 2nd to 6th gears. Non-synchro 1st and reverse
Shift type Mechanically remote control operated shift
Gear ratios

1st	7.03	4th	1.50	Rev	7.04
2nd	4.28	5th	1.00		
3rd	2.49	6th	0.78		

PTO capability LHS 300 Nm @ 100% engine speed (nominal ratio)

9 SPEED MANUAL

Make Eaton
Model ES11109
Description Nine forward synchronmesh speeds and one non-synchro reverse
Shift type Mechanically remote control operated shift
Gear ratios

1st	12.64	4th	4.77	7th	1.85
2nd	8.81	5th	3.55	8th	1.34
3rd	6.55	6th	2.48	9th	1.00
Rev	13.21				

PTO capability Two LHS and one rear openings available

6 SPEED AUTOMATIC

Make Allison Generation 5
Model 3060P
Description Six forward speeds and one reverse. Fully automatic Allison Gen5 adaptive shift with power and EcoFleet modes
Shift type Electronic push button controller
Gear ratios

1st	3.49	4th	1.00	Rev	5.03
2nd	1.86	5th	0.75		
3rd	1.41	6th	0.65		

PTO capability Flywheel type drive with LHS and RHS openings 660 Nm using one opening, or 930 Nm total using both openings
Electronic Brake Interface (EBI) Transmission assisted engine braking effort when exhaust brake is activated

FRONT AXLE AND SUSPENSION SYSTEM

Axle make UD Trucks
Description Drop forged steel "I" section beam, "ELLIOT" type
Suspension Long taper leaf spring with anchor at front and shackle at rear
Dimensions (mm) 80 mm x 1,400 mm
Number of leaves 3
Spring constant 343 N/mm (35.0 kg/mm)
Shock absorbers 2 telescopic double acting
Max. ground capacity Refer to the Load Capacity Summary on Page 3

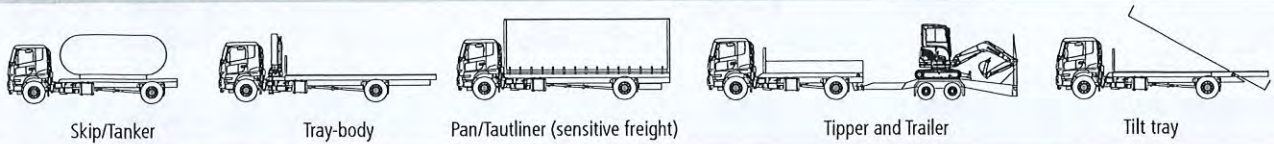
REAR AXLE AND SUSPENSION SYSTEM

Axle make UD Trucks
Type Fully floating pressed steel banjo type housing with single drive
Gear type Single reduction, hypoid gear
Final reduction ratio
6 speed manual - 5.143:1
6 speed automatic - 6.166:1
9 speed manual - 4.333:1

AIR SUSPENSION

Description Hendrickson HAS230 - Road Friendly compliant
Air spring diameter 320 mm
Number of springs 2 airbags
Spring constant 125 N/mm (12.8 kg/mm)
Shock absorbers 2 telescopic double acting
Road Friendly Certification Number (RFCN) RF2022
Control system WABCO ECAS (Electronic Controlled Air Suspension) with programmable remote control in cab
Max. ground capacity Refer to the Load Capacity Summary on Page 3

TYPICAL APPLICATIONS

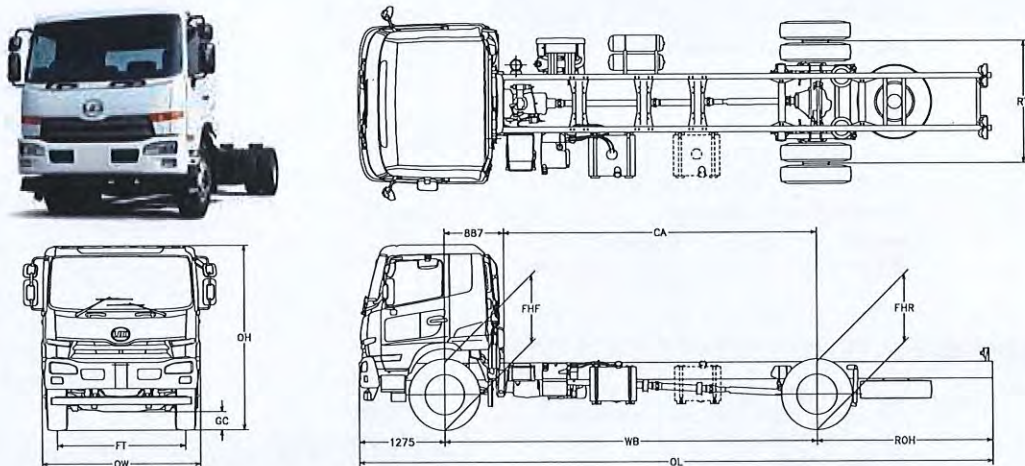


GENERAL SPECIFICATIONS (Approximate)

Variant	Mass (kg)						Vehicle Dimensions (mm)											Turning radius (kerb to kerb)	UD model code	
	Wheelbase code	GVM*	GCM**	FA ¹	RA ¹	Total Tare ¹	WB	OL	OW	OH ²	FT	RT	ROH	CA	GC ²	FHF ²	FHR ²			FHR (Lowered height)
6-speed ³	H	16,500	20,500	3,095	1,965	5,060	4,500	7,625	2,472	2,734	1,934	1,860	1,850	3,613	266	965	984	939	8,000	PK17280H6A
	N			3,150	2,085	5,235	5,550	9,425					2,600	4,663					9,600	PK17280N6A
	R			3,175	2,100	5,275	6,050	10,125					2,800	5,163					10,400	PK17280R6A
	S			3,260	2,200	5,460	6,450	10,625					2,900	5,563					11,100	PK17280S6A
Automatic ²	H	16,500	20,500	3,130	1,955	5,085	4,500	7,625	2,472	2,734	1,934	1,860	1,850	3,613	266	965	984	939	8,000	PK17280HAA
	K			3,155	1,975	5,130	4,900	8,130					1,955	4,013					8,600	PK17280KAA
	N			3,190	2,070	5,260	5,550	9,425					2,600	4,663					9,600	PK17280NAA
	R			3,210	2,090	5,300	6,050	10,125					2,800	5,163					10,400	PK17280RAA
	S			3,300	2,185	5,485	6,450	10,625					2,900	5,563					11,100	PK17280SAA
9-speed ²	H	16,500	20,500	3,060	1,970	5,030	4,500	7,625	2,472	2,734	1,934	1,860	1,850	3,613	266	965	984	939	8,000	PK17280H9A
	N			3,130	2,070	5,200	5,550	9,425					2,600	4,663					9,600	PK17280N9A
	R			3,150	2,090	5,240	6,050	10,125					2,800	5,163					10,400	PK17280R9A
	S			3,225	2,200	5,425	6,450	10,625					2,900	5,563					11,100	PK17280S9A

¹ Mass is an estimation only based on standard model, includes fluids (not diesel fuel or AdBlue®), Spare tyre carrier and spare, excludes tools and driver.

² Based on vehicle with standard 295/80R 22.5" front and 11R 22.5" rear tyres.



Note: PK 17 280 photo and drawing shown, may not be representative of actual truck

PERFORMANCE (Calculated)

	6 speed MPS manual with 5.143 diff ratio and 11R 22.5" tyres 100 km/h (ADR65/00 - speed limited)	6 speed Allison automatic with 6.166 diff ratio and 11R 22.5" tyres 100 km/h (ADR65/00 - speed limited)	9 speed Eaton manual with 4.333 diff ratio and 11R 22.5" tyres 100 km/h (ADR65/00 - speed limited)
Max road speed	36% @ 16,500 kg	55.8% @ 16,500 kg	54.2% @ 16,500 kg
Gradeability 1st gear	2.8% @ 16,500 kg	2.8% @ 16,500 kg	3.2% @ 16,500 kg
Gradeability top gear	2,095 rpm	2,104 rpm	2,246 rpm
Est rpm @ 100 km/h			

WARRANTY

Standard warranty+	36 months/200,000 kms	+ For details refer to udtrucks.com.au
Cab corrosion warranty+	36 months/unlimited kms	++Covers selected items only. For details refer to udtrucks.com.au
Optional Extended warranty++	60 months/350,000 kms	

NOTES: *Rated GVM and axle capacities are subject to Federal, State and Territory legal requirements.

**OPT GCM, Contact your Authorised Dealer for GCM options available for this model.

udtrucks.com.au

DISCLAIMER: Imported and distributed by Volvo Group Australia Pty Ltd (ABN: 27 000 761 259). Photos for illustration purposes. Volvo Group Australia Pty Ltd reserves the right to modify design and change equipment without previous notification. Please consult with your UD Trucks Dealer for the latest information about vehicle specifications.

ISSUE DATE
APRIL 2017

LOAD CAPACITY SUMMARY

	Front (kg)	Rear (kg)
Axle	6,500	11,500
Steering/suspension	6,500	10,000
Tyres	7,100	11,600
Max. ground capacity*	6,500	10,000

BRAKES

Type	WABCO ABS (Anti-lock Braking System)		
Description	Full air brake, dual line system, with aluminium air tanks, automatic adjusting taper roller drum brakes, 4 channel ABS		
Air pressure	7.2 - 8.5 kg/cm ²		
	Front	Rear	Total
Drum diameter	410 mm	410 mm	
Lining area	2,480 cm ²	3,648 cm ²	6,128 cm ²
Park brakes	Hand operated pneumatically controlled spring park brake on drive axle		
Auxiliary brake	Butterfly type exhaust brake		

STEERING

Type	Recirculating ball and screw with hydraulic assist
Steering gear ratio	22.42:1
Column	Adjustable, tilt and telescopic control
Steering wheel	460 mm diameter with ignition key steering lock

WHEELS AND TYRES

Wheels	Pressed steel disc type 8.25" x 22.5" rim with 165 mm offset - ISO 10 stud pattern (335 mm PCD)
Front tyres	Single 295/80R 22.5" Dunlop SP350, regroovable
Rear tyres	Dual 11R 22.5" Dunlop SP431, regroovable
	Dual 11R 22.5" Dunlop SP343, regroovable
Spare tyre	Single 295/80R 22.5" Dunlop SP350, regroovable mounted on Spare Tyre Carrier at rear of chassis

FRAME

Construction	Ladder, channel type double skin chassis construction		
Width	860 mm		
Side rail dimensions	250 mm x 80 mm x 8 mm + 234 mm x 72 mm x 3.2 mm (H & K wheelbase) 250 mm x 80 mm x 8 mm + 234 mm x 72 mm x 6 mm (N, R & S wheelbase)		
Material	Pressed high tensile carbon steel		
Rail data	Tensile	Yield	Modulus
	55 kg/mm ²	38 kg/mm ²	Refer to Body Manual udtrucks.com.au

STANDARD DRIVER AIDS

Safety equipment	ECE-R29 Cab strength compliant ADR84/00 (ECE-R93) Front Underrun Protection System compliance (FUPS) SRS driver steering wheel airbag SRS driver seat belt pretensioner ABS - Anti-lock Brake System
Instrumentation	Fully electronic, CAN-BUS instrument system including speedometer, tachometer (with economical green driving band), fuel, temperature, AdBlue [®] level and independent front and rear air circuit pressure gauges. Digital odometer display with dual trip function
Warning systems	Up to 22 visual warning lamps plus up to 38 different written warnings displayed on the LCD screen. In conjunction 13 audible tones are used
Driver assistance	Driver's Information System (DIS) displaying useful vehicle data including: date/time, engine temperature oil pressure, voltmeter, trip information, along with service intervals for engine, transmission, differentials, belts and air filter. Electronic stalk mounted cruise control. GPS satellite navigation with HEREMAPS "truck" mapping

EXTERNAL CABIN

Description	Aerodynamically designed, forward control, pressed steel construction cab with 45° torsion bar cab tilt
Mounting type	Spring suspended cab with 2 dual acting shock absorbers
Crash test standard	ECE-R29 compliant
Cab paint	Standard - Jumping White (W33)
Doors	90° opening, steel construction with side intrusion beams
Inspection points	All daily inspections can be carried out without lifting the cab from the front opening inspection panel
Bumper type	2 piece pressed steel and fibre-glass air dam front bumper
Mirrors	Heated and electrically operated LH and RH main mirrors with wide vision spot mirrors and passenger side down facing spot mirror
Lamps	Halogen multi-reflector head lamps ADR49/00 bumper mounted fog lamps ADR49/00 roof mounted clearance lights
Glass	Tinted front, side and rear
Wipers	Double arm, 2 speed wipers with intermittent operation and integrated washers
Reversing system	Rear facing reverse light and audible warning alarm, infra-red camera with microphone

INTERNAL CABIN

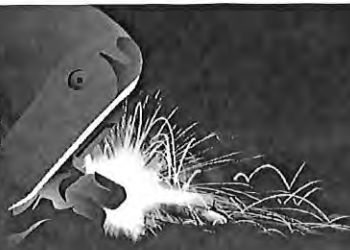
Lighting	Single ON/OFF/DOOR interior lights with an independent 720 mm x 140 mm fluorescent lamp
Standard Seat Capacity	3 occupant seats - 2 outer seats with retractable 3 point seat belts, centre seat with adjustable lap belt
Driver seat	CVG multi-adjustable, air suspended with automatic height control and adjustable shock absorber
Passenger seat(s)	Flat folding LH assistant seat with lift up base Flat folding centre seat with back of seat storage
Sleeping capability	ADR42/04 compliant sleeper bunk with mattress (full cab curtains)
Side windows	Power operated door glass
Security	Remote keyless central locking
Air conditioning	Adjustable temperature control with multi-speed fan
Audio system	6.1" Touch Screen, Digital Radio DAB+, Inbuilt 32G Hard Drive, 4 Camera inputs incl. option for IR night vision and multiple component inputs, SD, USB, CD, DVD, 3.5mm, 3-way speakers
Telematics	Fleet Max Plus CAN and GPS vehicle data reporting
Cup holders	2 centre mounted cup-holders RH and LH door mounted bottle-holders additional 2 back of centre seat cup holders
Storage	Driver and passenger overhead consoles (6 litres each) with lids 10 litre back of centre seat storage box with lid Driver and passenger door pockets
Power outlets	24 volt 240 W cigarette lighter/power outlet
Accessory fitment	Two DIN sized compartments for accessory fitment
Floor coverings	Vinyl

FACTORY OPTIONAL EQUIPMENT (indent order)

Tyres	275/70R22.5 (6,300 kg front axle capacity)
Suspension	Multi-leaf front springs 294 Nm/mm (29.9 kg/mm)
Fuel Capacity	200 litre LHS chassis mounted auxiliary tank with lockable cap (except H wheelbase)
Seating	Large centre console (replaces centre seat)
Engine/ PTO control	Electronic engine governor control with external control lever
Cab paint	Custom paint colours (up to 3 colours per cab)
Front view mirror	Left-hand side close-view spotter mirror

DEALER FIT OPTIONAL EQUIPMENT

Rear engine PTO	343 Nm torque capacity @ 120% engine speed 343 Nm torque capacity @ 85% engine speed
Transmission PTO	Specific to application refer to dealer
Cameras	Up to 3 additional cameras connected to the in-dash multimedia unit



CERTIFIED WEIGHBRIDGE CERTIFICATE

CERTIFIED NO. 101

COMPANY

M & P Services

DATE

08-11-19

DESCRIPTION

Split weights

VEHICLE REGISTRATION

XQ 8710 (BT31)

STEER WEIGHT

4.14 tonnes

DRIVE WEIGHT

3.54 tonnes

TRI 1 WEIGHT

_____ tonnes

TRI 2 WEIGHT

_____ tonnes

GROSS WEIGHT

7.68 tonnes

DGH SIGNATURE

Smelee



UD TRUCKS

Crokers Truck Centre

In Progress

Date 31/07/2019

Quote No. JWC2019000009 v3

Version 0

Alternative 1

PK/PW/PD Air Suspension



Quote For
M & P Services Pty Ltd

By
Jason Cross
Crokers Truck Centre



UD TRUCKS

Crokers Truck Centre

In Progress

Date 31/07/2019

Quote No. JWC2019000009 v3

Version 0

Alternative 1

Your ref.

M & P Services Pty Ltd
PO Box 3140
MACKAY 4740
QLD

Quote

Mr Phil Randall,

Following our recent discussions regarding you truck requirements; please find below and attached specifications and pricing for a new truck(s).

1 x PK/PW/PD Air Suspension

Transport Operation

PK17280SAA ✓
Gross Vehicle Weight 16500kg ✓
Cab Chassis ✓

Core Components

Sleeper Cab ✓
Wheelbase 6450mm ✓
Engine 7 litre 280hp (883 Nm) ✓
Gearbox Allison 3000 6 Speed APS Gearbox 883 Nm ✓
Front Parabolic Leaf Springs ✓
Solo Single Reduction Axle 10t, GCW30 ✓
Rear Axle Ratio 6.17 ✓

Chassis

200 Litre LHS Rectangular Steel Fueltank 500mm High ✓

Rims and Tyres

Front Tyre Size 295/80R22.5 ✓
Dunlop SP350A ✓
Rear Tyre Size 11R22.5 ✓
Dunlop SP350A (spare) ✓
Dunlop SP343-16PR ✓
Spare Rim/Tyre Same As Front ✓



UD TRUCKS

Crokers Truck Centre

In Progress

Date 31/07/2019

Quote No. JWC2019000009 v3

Version 0

Alternative 1

Powertrain Equipment

Transmission Oil Cooler, Water/Oil, Remote Mounted ✓

Cab Interior

Auxiliary Passenger Seat Version 2 ✓

Fleetmax Plus Telematics Package (touch screen, satellite navigation) ✓

Double DIN Radio (bluetooth, reverse camera) (check reverse camera once dash back together - Not showing on screen??) ✓

Not sure if we ordered Fleet Max, using our own systems??

Cab Exterior

Standard Cab Colour (W33 "Jumping White") ✓

Extended Protection Plan

PK Condor Automatic 5 years / 350,000km ✓



UD TRUCKS

Crokers Truck Centre

In Progress

Date 31/07/2019

Quote No. JWC2019000009 v3

Version 0

Alternative 1

Internal Workshop

TX4500 UHF ✓

PK Stone Guard ✓

PK Floor Mats ✓

PK Dash Mat ✓

PK Canvas Seat Covers ✓ *Canvas??*

PK Reversing Camera Installation ✓ *there - But not showing up on dash.*

Window Tinting ✓

*dash apart for electrician - check after
Back together*

Vehicle Sales Price

External Sales

TWE 8mt tray built to M&P Scope of works ✓

Ultimate PK 4 post polished alloy bull bar (includes) ✓

Tow pin ✓

Horizontal folding Over Size signs and anti-rattle catches ✓

Fit up signs to the bull bar ✓

Install LED parker/indicator lights into the lower skirts ✓

On Road Costs

Registration ✓

CTP Insurance ✓

Stamp Duty New Registration ✓

Total Sum Of Sales

GST Amount

Model & Accessories

10.00 %

Total Price (Incl. GST & On road costs)

TRANSPORT WELDING ENGINEERING

483 Greenwattle St
 TOOWOOMBA QLD 4350
 Tel : (07) 4633 3822
 Fax : (07) 4634 4816
 ABN : 14 010 251 091
 Email: trentreck@mansell.com.au

Quote No: 12553

CROKERS TRUCK CENTRE*
 PO BOX 5844

Att: Jason Cross
 Fax No: 07 4952 9590
 Date: 09 MAY 2019

MACKAY M C QLD 4741

8mtr Tray & Accerssories - M&P Services

IN RESPONSE TO YOUR ENQUIRY, WE ARE PLEASED TO SUBMIT THE FOLLOWING.....

Part Description Part Code	Qty	Each	Total Exc	GST Amt	Total Inc
Tray Steel 26Ft - 8000mm x 2480mm ✓ 3mm chequer floor ✓ Chequer plate sheet up to window height ✓ Pipe steps front and rear ✓ LED side lights ✓ Rope rails - full length ✓ Filled in Polished Alloy chequer plate at rear between and around tail lights ?? Polished Alloy chequer plate mudguards with mudflaps at rear ✓ Sandblasted & Painted in 2-pak - Underneath floor - Black, Top of floor - Grey, and the coaming rail & headboard in Ford Citrus Yellow? <i>Top of floor white</i> TRAY-ST-26-8000 ✓ <i>Coaming rail + H/Board white ??</i>	1				
Supply and fit Container Twist Locks to Truck Body <i>(Needs locking Mechanisms?)</i> To suit 20ft Containmer ✓ Front pins - 200mm from the headboard ✓ CONT-UES-LOCKS-FIT ✓					
Tie Down lashing ring type 2T Rated ✓ 4 in headboard (400mm and 1000mm high) ✓ 8 each side in floor - 500mm from headboard, and every 1000mm after that ✓ TIEDOWN-LAS ✓	20				
Swing gates - 1 per side at front of Body - 1500 x 1500 ✓ Includes drop in gates 1500mm high x approx 1300mm long (each) behind 2 swing gates, and 2x drop in at rear (1200mm each) ✓ Includes 5x Bows - 1 per each side gate ✓ Galvanised RHS ✓ GATES-5FT-DRO-1500 ✓	1				
Supply and fit Water Tank 60 Lt PVC ✓ Includes soap dispenser ✓ WATER-60LT-PVC ✓	1				

Should safety Δ's been supplied with vehicle ??

Quote No: 12553

Part Description Part Code	Qty	Each	Total Exc	GST Amt	Total Inc
Toolbox 1200-600-600-NoShelf TOOL-1200-0600-0600-A ✓	2				
Dunnage Box for 1500-600-600 With lift up lid Painted in 2-pak DUNN-15-6-6 ✓	1				
Mine spec wheel chocks x 2 and bracket. MS-WHEEL-CHOCKS ✓	1				
Mine spec lockout battery isolator switch MS-BATT-ISO ✓	1				
Supply and fit fire extinguisher 4.5kg FIRE-EXT-4.5 ✓	1				
Supply and Fit Over Size Sign SIGN-OVER-SIZE-REM ✓	2				
Supply and Fit Flick type Dangerous Goods Sign SIGN-DG-FLICK X	2	(?? - None visible)			
Fit 1x LED Amber Beacon (supplied) Fitted to rear step Switch in cab LIGHT-AMBER-1-HB X	1	(S.M. under the impression this was not quoted on, as fitting Earthtrak lights ourselves?)			
LED Revolving Amber Beacon fitted above Cab, Mounted on Aluminium rack ✓ Light supplied to TWE ✓ LIGHT-AMBER X ✓	1	Rack is there, but light "as above"			is this final quote??

Validity: This Quotation is valid until 08/06/2019

Delivery:

The acceptance of this quotation and on provision of your A.B.N number acknowledges acceptance on the above prices and constitutes authority to proceed with the works stipulated. Any change to the specification after approval of this quotation by the client may result in additional charges added to your account.

WE THANK YOU FOR THE OPPORTUNITY OF QUOTING AND LOOK FORWARD TO YOUR RESPONSE.

Yours Faithfully
TRANSPORT WELDING ENGINEERING

.....
Trent RECK