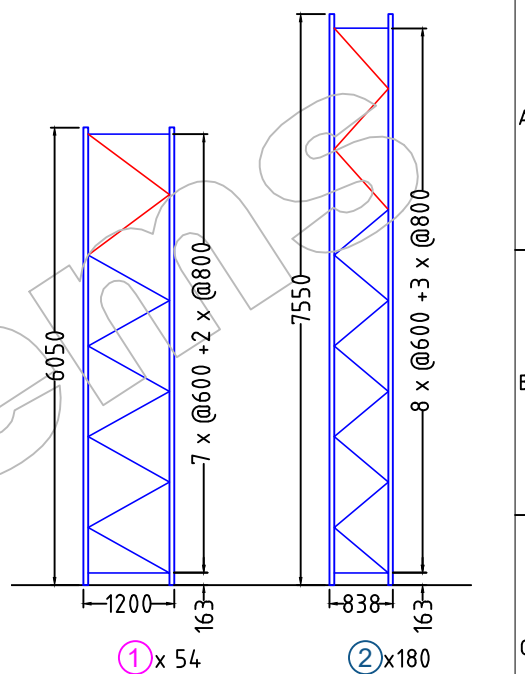
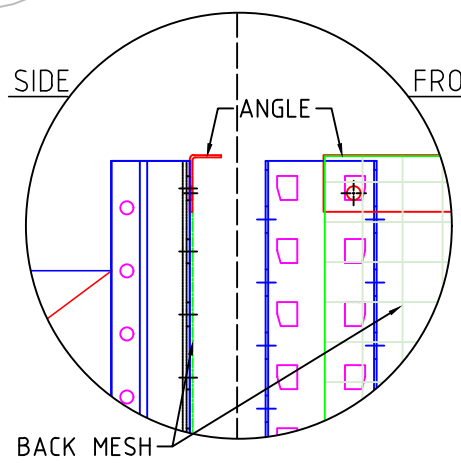


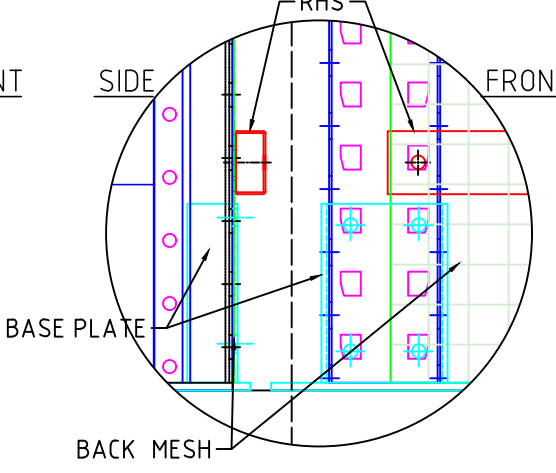
MESH DECK LOCATIONS			
ROW A	ALL LEVELS	ROW K	ALL LEVELS
ROW B	ALL LEVELS	ROW L	TOP 3 LEVELS ONLY
ROW C	ALL LEVELS	ROW M	TOP 3 LEVELS ONLY
ROW D	ALL LEVELS	ROW N	ALL LEVELS
ROW E	ALL LEVELS	ROW O	TOP 3 LEVELS ONLY
ROW F	LEFT 10 BAYS ALL LEVELS	ROW P	ALL LEVELS
ROW G	ALL LEVELS	ROW R	ALL LEVELS
ROW H	NO MESH DECK	ROW S	ALL LEVELS
ROW I	ALL LEVELS	ROW T	ALL LEVELS
ROW J	NO MESH DECK		



FRAME TYPE  
SCALE 1: 100



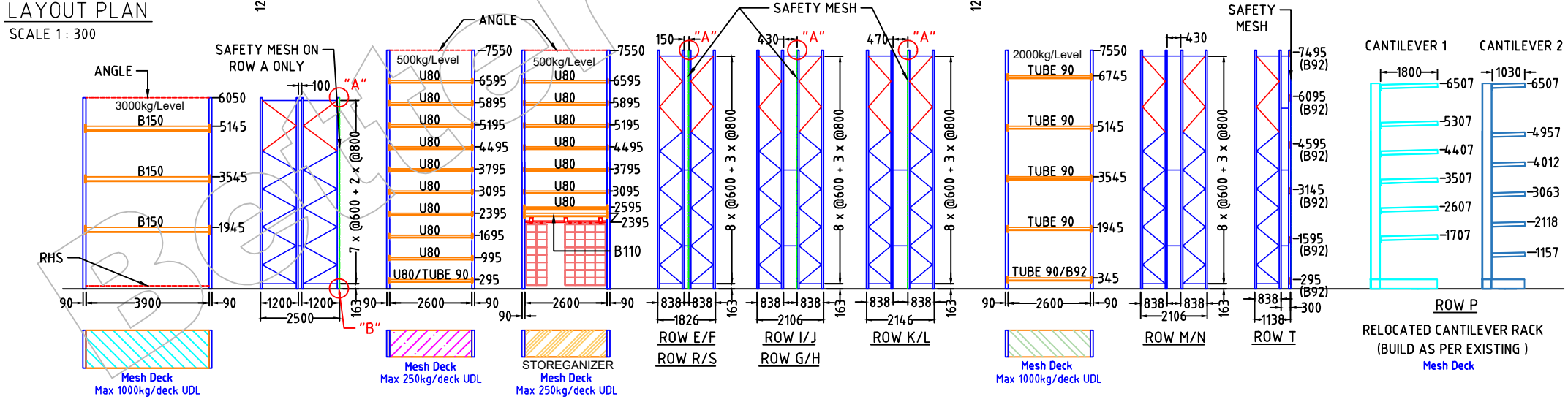
DETAIL "A" - SIDE & FRONT VIEW  
SCALE 1: 6



DETAIL "B" - SIDE & FRONT VIEW  
SCALE 1: 6

MORE DETAILS REFER TO DRAWING 210356-201A & 102A

LAYOUT PLAN  
SCALE 1: 300



FRONT & SIDE VIEW  
SCALE 1: 175

Rev	Description	By	Date	Chk
F	UPDATED THE MESH DECK LOCATIONS	GZ	2/09/20	KT
E	INCREASE THE WALKWAY WIDTH TO 1700mm & 1280mm	GZ	24/08/20	KT
D	CHANGING THE AISLE SIZE BIGGER AS PER CLIENTS REQUIRE	GZ	24/08/20	KT
C	TURN CANTILEVER 180° AROUND	KT	17/08/20	DS
B	ADDED MESH DECK DETAILS	GZ	7/08/20	KT

TITLE: Lanskey Construction - Airbus  
MacArthur Ave Central, Pinkenba  
Construction Drawing

**Better Storage Systems**  
BNE: 2810 Ipswich Rd, Darra QLD4076  
SYD: Level 5, Nexus Building, 4 Columbia Court,  
Baulkham Hills NSW2153  
T: 1300 571 277 W: betterstorage.com.au

THIS DRAWING AND INFORMATION IT CONTAINS IS CONFIDENTIAL AND MUST NOT BE REPRODUCED, COPIED OR USED FOR ANY PURPOSE WITHOUT THE WRITTEN PERMISSION OF BETTER STORAGE SYSTEMS

Drawn	GZ	Date	28/07/20
Checked	KT	Scale	AS SHOWN
Dwg No.	210356-101F	Rev No.	
		Sht	A3